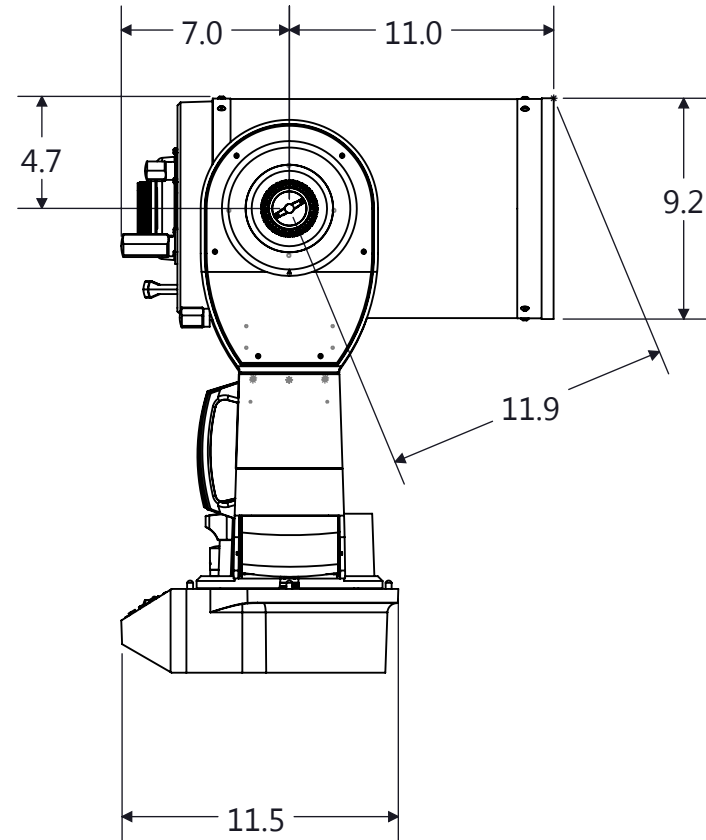
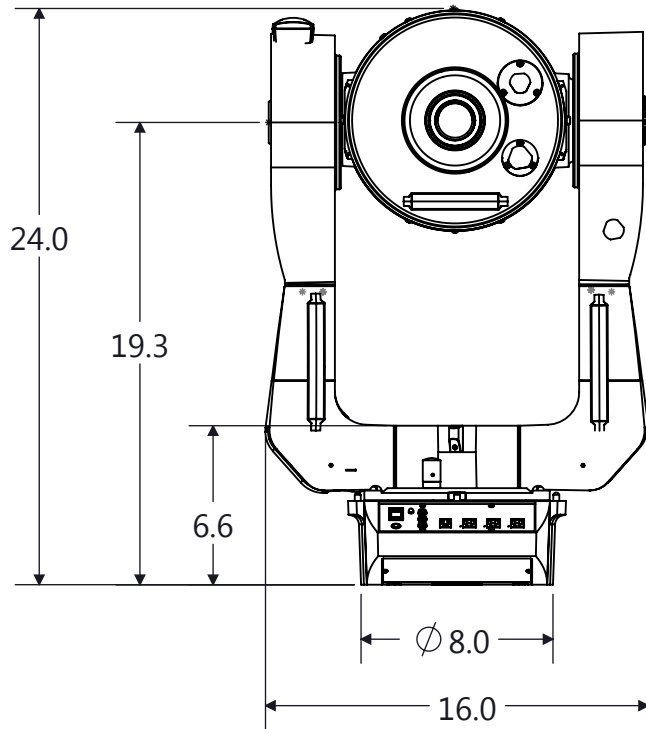
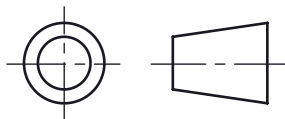


NOTES: UNLESS OTHERWISE SPECIFIED:



UNLESS OTHERWISE SPECIFIED: DIMENSIONS ARE IN INCHES.

THIRD ANGLE PROJECTION:



MATERIAL:

FINISH:

DRAWN BY:

DATE:  
12/19/2017

SCALE:  
1:12

SHEET:  
1 OF 1

TITLE:

8" LX200 DOME DIMENSIONS

SIZE

DWG. NO.

REV

A

A

DIMENSIONS IN:  
BRACKETS [ ] ARE IN MM.  
PARENTHESES ( ) ARE REFERENCE.

INTERPRET GEOMETRIC TOLERANCING PER:  
ASME Y14.5M-1994

DECIMALS

ANGULAR

± 0.5°